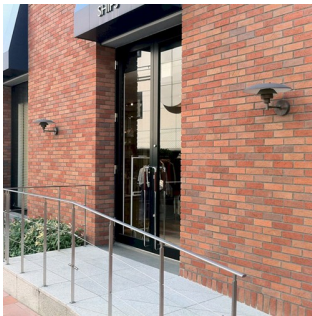
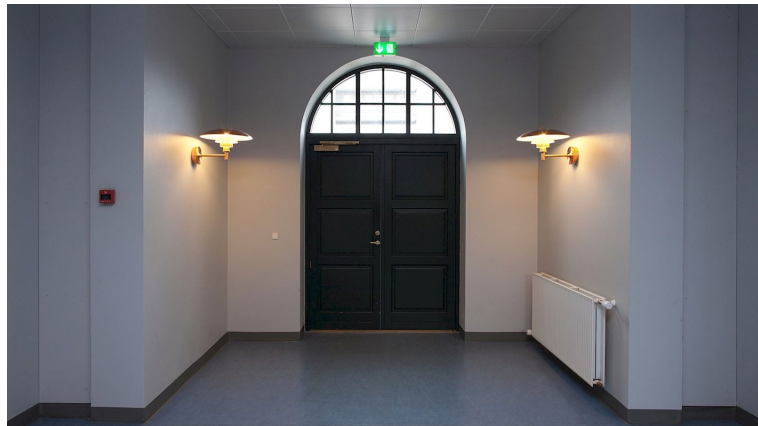


# PH Wall

The fixture is designed based on the principle of a reflective three-shade system, which directs the light downwards. The shades have a matt white painted inside to ensure diffuse, comfortable light distribution.



**Osaka Abeno  
District Town  
Development**



**Esbjerg Sygehus**

## Product info

### Information

Please note that the copper surface is untreated in order to achieve a verdigris finish over time. This can result in an inconsistent surface finish prior to the product achieving full patina. This process might have begun already during stocking/ transportation.

### Mounting

Terminal block: 1x3x2.5mm<sup>2</sup>. Cable entries: 2x bottom + 2x rear entries for Ø 10-14.5mm cable or 2x rear entries for Ø 10-14.5mm cable. Looping: Approved, max. 3x1.5mm<sup>2</sup>.

### Finish

Copper, brushed.

### Materials

Shades: Spun copper. Wall box: Spun copper. Arm: Copper.

### Sizes and weights

Width x Height x Length (mm) | 450 x 290 x 505 Max 6.8 kg

### Class

Ingress protection IP23. Electric shock protection I w. ground.

### Specification notes

The innovation of light sources is ongoing. Consequently we only inform about the max. wattages. On [www.louispoulsen.com](http://www.louispoulsen.com) we update a list of recommendable light sources.

### Light source

1x100W E27

### Information

Please note that the copper surface is untreated in order to achieve a verdigris finish over time. This can result in an inconsistent surface finish prior to the product achieving full patina. This process might have begun already during stocking/ transportation.



## Product variants

Light source	Body
1x100W E27	BOX W/O SIDE CABLE HOLES
	BOX W/SIDE CABLE HOLES

# Product description

The fixture is designed based on the principle of a reflective three-shade system according to PH's logarithmic spiral. The size of the three shades is adjusted for optimum performance and comfort. A straight wall arm mounted in a round wall box holds the fixture. The surface will change/patinate over time according to the environmental conditions of the air. Is a member of a product family for both outdoor and indoor. Iconic design.

---

## Mounting

Terminal block: 1x3x2,5mm<sup>2</sup>.  
Cable entries: 2x bottom + 2x rear entries for Ø 10-14,5mm cable or 2x rear entries for Ø 10-14,5mm cable.  
Looping: Approved, max. 3x1,5mm<sup>2</sup>.

---

## Light description

The fixture emits symmetrical light directed downwards. The white painted matt inside of the shades ensures a uniform and comfortable light distribution.

---

## Design

Poul Henningsen

---

## Material

Shades: Spun copper heavy gauge untreated brushed. All shades have white wet painted undersides.  
Wall box: Copper plated, spun brass.  
Arm: Copper plated, brass.

---

## Weight

Min: 6.8 kg Max: 6.849 kg

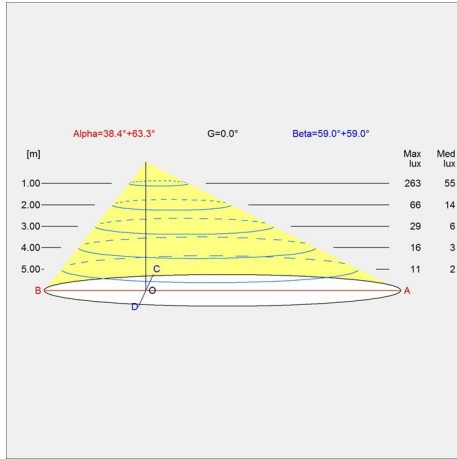
---

## Finish

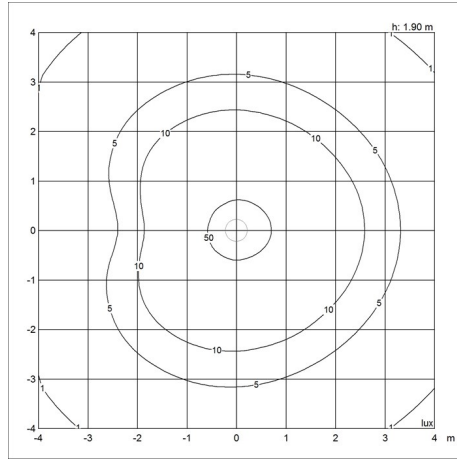
Brushed copper

# Light distribution diagrams

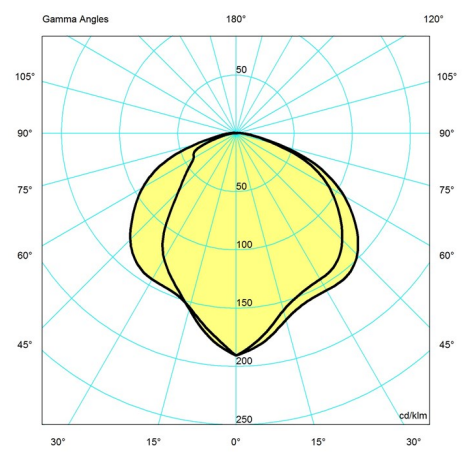
Cartesian



Isolux



Polar



## Spare parts & accessories

**Product**

- PH Wall finger screw+washer
- Anti-Theft screws 3 pcs M8X20 copper

**Variant number**

- 5743590432
- 5747293476